

Vi™ Phone Holder



Features

- Angled mount positions phone for visibility while charging
- Charges up to three devices at once through wireless, USB-A, or USB-C ports
- USB-C port equipped for laptop or tablet charging
- Sophisticated design compliments office environments
- Easily movable to conveniently locate charging where most needed

Product Details

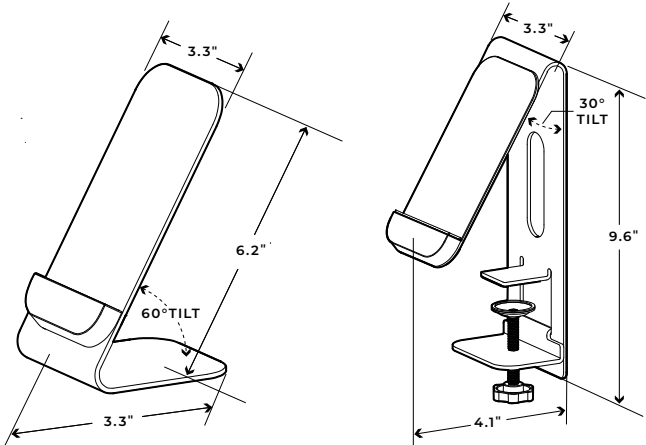
	USB-A	USB-C	Wireless
Housing Material	ABS Plastic		
Voltage	24V DC		
Input Current	4A		
Charging Capacity	5V 2.4A 12W	5V, 9V, 12V, 20V 3A Max 60W	1A 10W
IP Rating	IP4X		
Operating Temp.	-4°F - +95°F		
Wire Length	72"		

Specification Guide

Sample Part #: **VPH-AC9-WH-D**

Base Part #
 Charging Configuration
 Finish
 Mounting

Base Part #	Charging Configuration	Finish	Mounting
VPH	AC9 - USB-A/C 96W Max	WH - White GR - Gray BK - Black	D - Desktop T - Table



Desktop Mount

Table Mount

