



Frontier Align Backlit Mirror Install Instructions

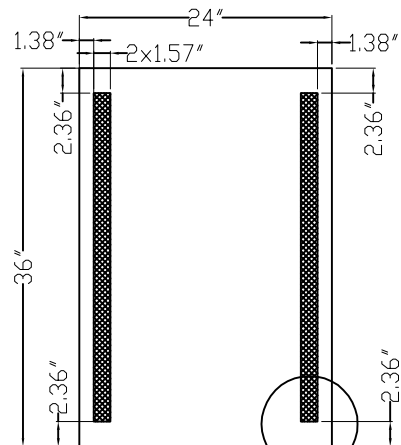
Part #69455.2436.KKK.LR.RMT

IMPORTANT INSTALLATION CONSIDERATIONS

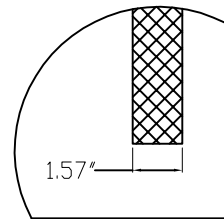
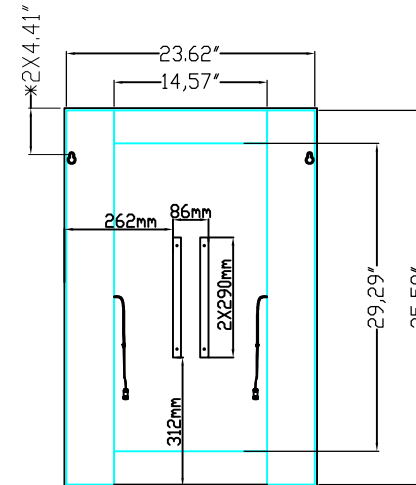
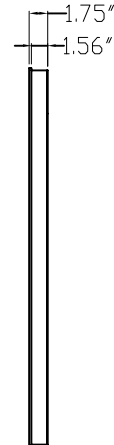
See installation instructions for full details on the mounting of these mirrors.

The dimensions below are for reference only, all dimensions should be verified with actual product prior to final installation.

The grounded outlet box should NOT be located behind the power supply housing or it will prevent the mirror from being plugged in properly. A double-pole duplex receptacle should be used to ensure proper installation.



SEE Detail A



Detail A
Scale:3.00



Frontier Align Backlit Mirror Install Instructions

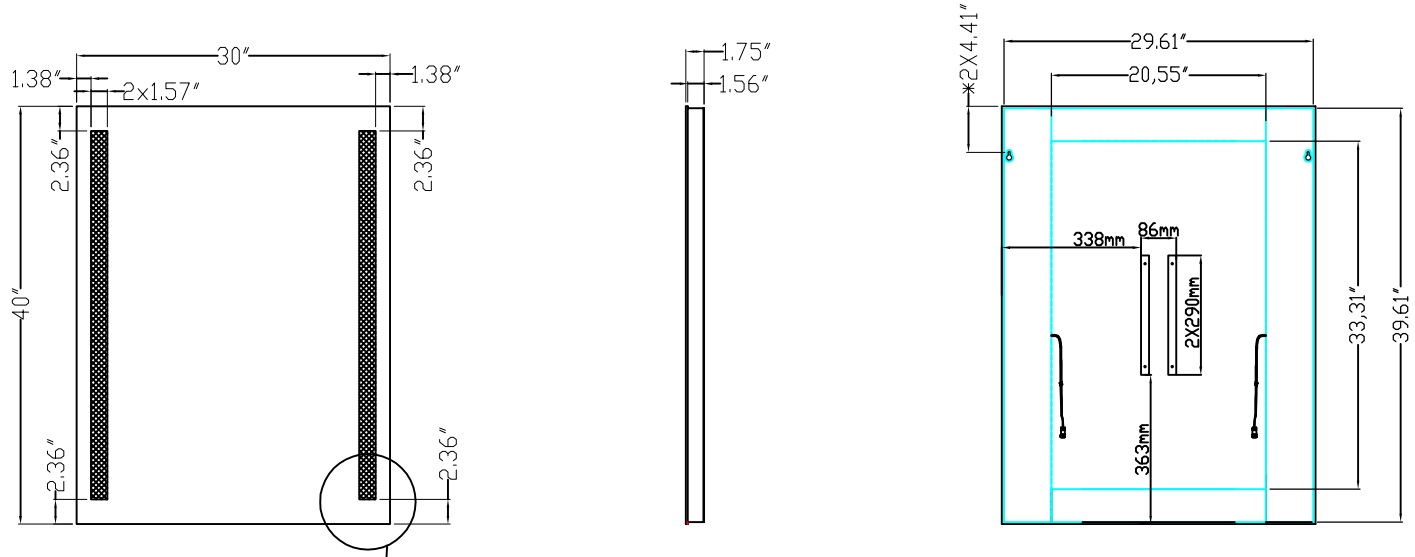
Part #69455.3040.KKK.LR.RMT

IMPORTANT INSTALLATION CONSIDERATIONS

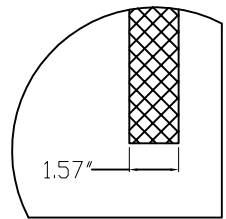
See installation instructions for full details on the mounting of these mirrors.

The dimensions below are for reference only, all dimensions should be verified with actual product prior to final installation.

The grounded outlet box should NOT be located behind the power supply housing or it will prevent the mirror from being plugged in properly. A duplex receptacle should be used to ensure proper installation.



SEE Detail A



Detail A
Scale:3.00



Frontier Align Backlit Mirror Install Instructions

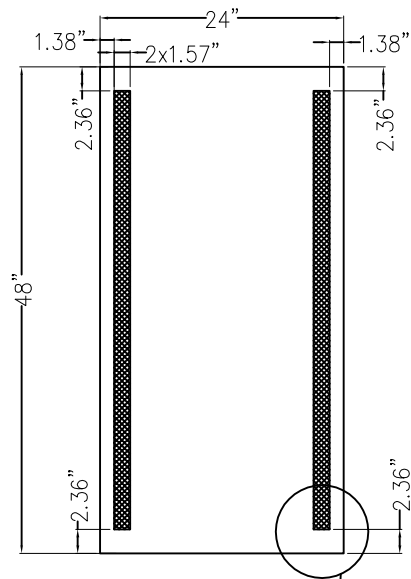
Part #69455.2448.KKK.LR.RMT

IMPORTANT INSTALLATION CONSIDERATIONS

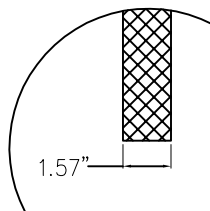
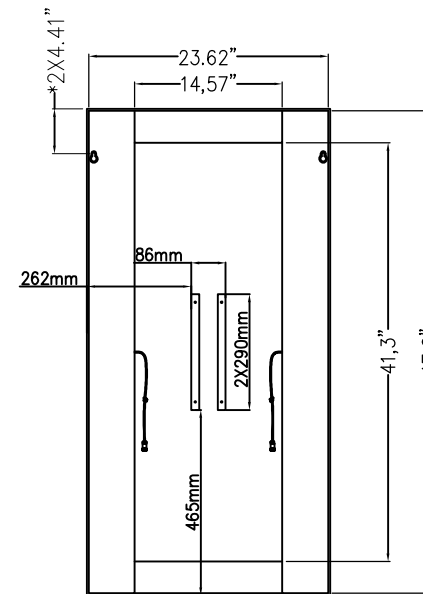
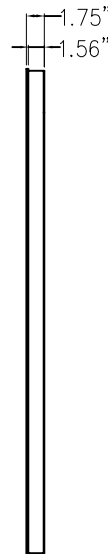
See installation instructions for full details on the mounting of these mirrors.

The dimensions below are for reference only, all dimensions should be verified with actual product prior to final installation.

The grounded outlet box should NOT be located behind the power supply housing or it will prevent the mirror from being plugged in properly. A code compliant duplex receptacle should be used to ensure proper installation.



SEE Detail A



Detail A
Scale: 3.00