



LOOK Backlit Mirror Install Instructions

Part # 69455.2436.KKK.LR.RMT

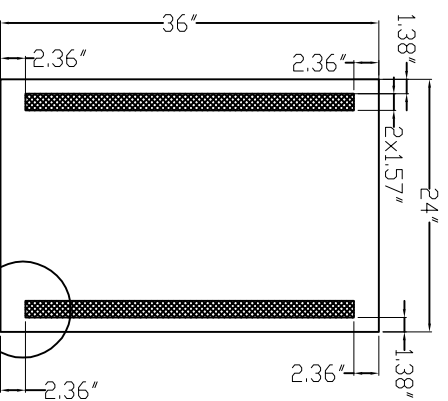
IMPORTANT INSTALLATION CONSIDERATIONS

See installation instructions for full details on the mounting of these mirrors.

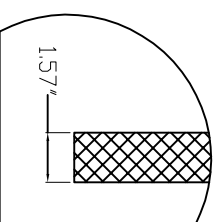
The dimensions below are for reference only, all dimensions should be verified with actual product prior to final installation.

The grounded outlet box should NOT be located behind the power supply housing or it will prevent the mirror from being plugged in properly.

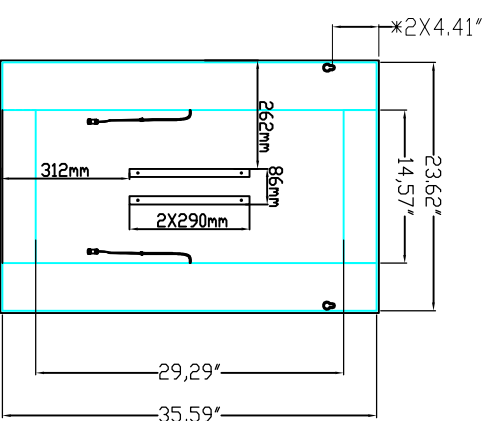
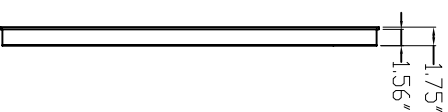
A code compliant duplex receptacle should be used to ensure proper installation.



SEE Detail A



Detail A
Scale:3.00





LOOK Backlit Mirror Install Instructions

Part # 69455.3040.KKK.LR.RMT

IMPORTANT INSTALLATION CONSIDERATIONS

See installation instructions for full details on the mounting of these mirrors.

The dimensions below are for reference only, all dimensions should be verified with actual product prior to final installation.

The grounded outlet box should NOT be located behind the power supply housing or it will prevent the mirror from being plugged in properly.

A code compliant duplex receptacle should be used to ensure proper installation.

