

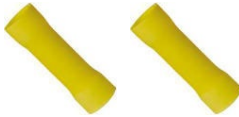



Radiance™ Surface Mount Light

INSTALLATION INSTRUCTIONS

Part#: 69253, 69353, and 69453

PARTS/TOOLS NEEDED:

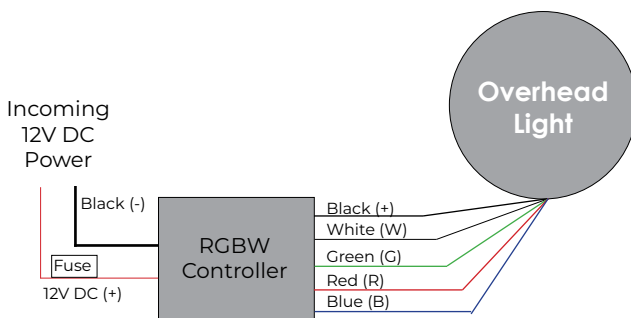
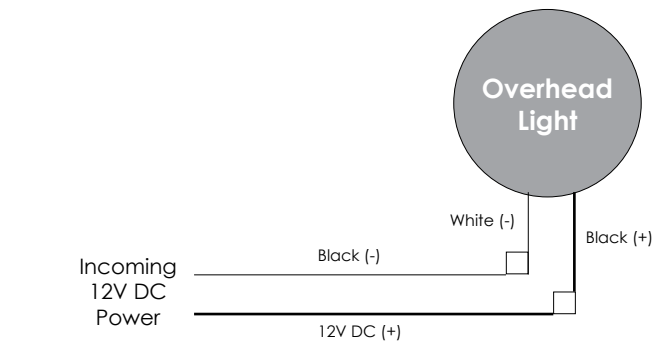
			
Radiance Overhead Light	#8 Mounting Screws (Not Provided)	Butt Splice Connectors (Not Provided)	Power Drill (Not Provided)

IMPORTANT SAFETY INSTRUCTIONS. READ CAREFULLY FOR YOUR PROTECTION AND SAVE ALL INSTRUCTIONS.

- Disconnect power before installing, adding or changing any component.
- To avoid a hazard to children, account for all parts and destroy all packing materials.
- It is recommended that fuse protection be added to the positive (+) input.

1. Determine the installation location and mark the location of the screw holes. Drill a hole and pull the units wiring through. Using the wiring diagram at the right to wire the light to the units power.

2. Feed the wired back through the hole and screw the light in using #8 screws (Not Provided). Install the lens and test the light.



3030 Corporate Grove Dr.
Hudsonville, MI 49426
Phone: 616.396.1355

itc-us.com

For warranty information please visit www.itc-us.com/warranty-return-policy
DOC #: 710-0007 · Rev C · 08/22/23