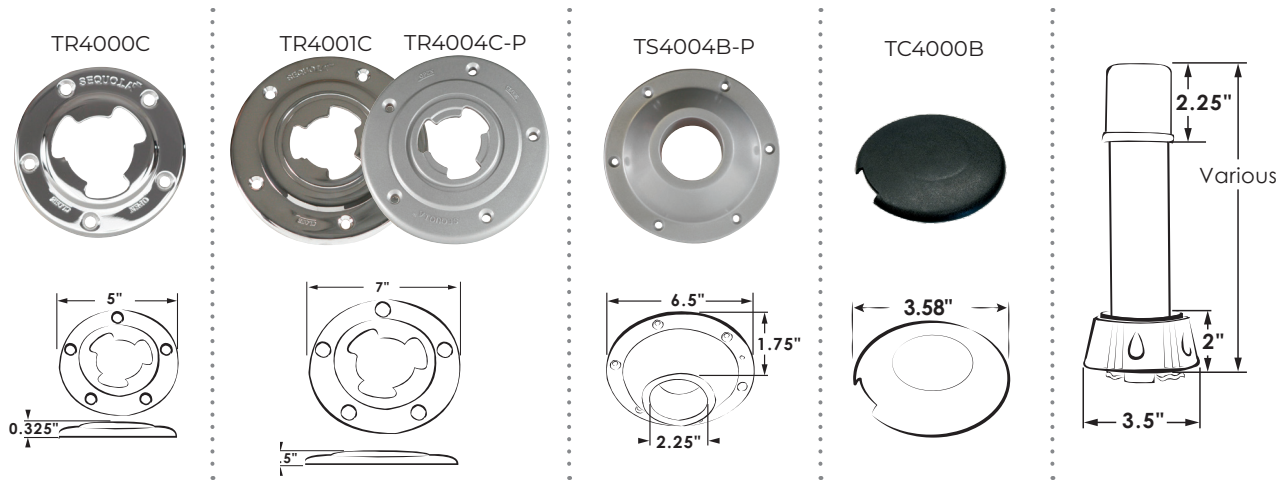


Sequoia™ III Table Leg and Base System

Features

- Twist-lock collar tightens leg to floor base for a secure fit
- Additional inner structural element transfers load from the leg to the floor base reducing wobble
- Floor bases are surface mount and fill cap for void when leg is removed is available as separate part
- The 2" diameter legs are anodized aluminum and are available in standard sizes: 22", 25.5", 27" and 29"
[custom heights available by special order]
- Patent number 6,820,847 B2



ITEM NUMBER	DESCRIPTION	FINISH	MATERIAL	SIZE
TS4000B	Sequoia™ III Table Base	Black	Aluminum	N/A
TS4004B-P		Silver		
TR4000C	Sequoia™ III Floor Base	Polished	Stainless Steel	5" Diam.
TR4001C				7" Diam.
TR4004C-P		Silver	Aluminum	7" Diam.
TL4002C-22	Sequoia™ III Table Leg	Anodized	Aluminum	22" Long
TL4002C-25.5				25.5" Long
TL4002C-27				27" Long
TL4002C-29				29" Long
TC4000B	Floor Base Cap	Black	Plastic	N/A

