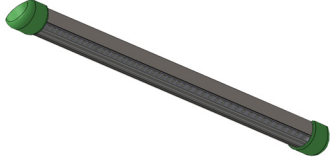
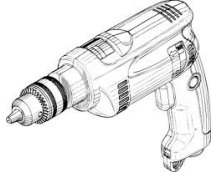



Aura™ Linear Light

INSTALLATION INSTRUCTIONS

Part#: SML-LLKK-FF

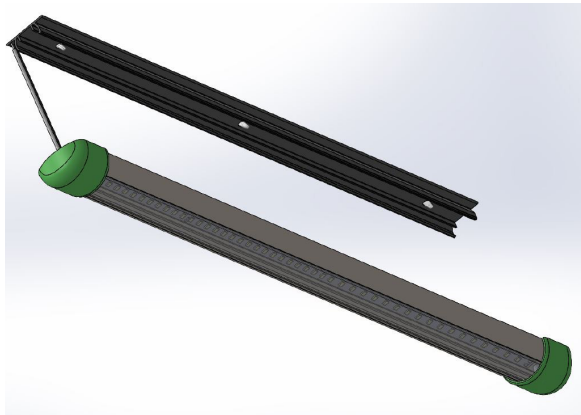
PARTS/TOOLS NEEDED:

		
Aura Linear Light	Power Drill	#8 Pan Head Screws (not provided)

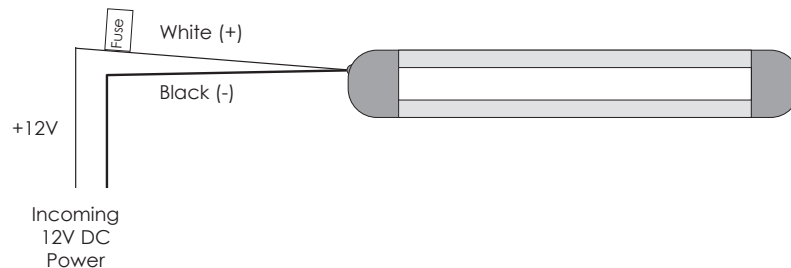
IMPORTANT SAFETY INSTRUCTIONS. READ CAREFULLY FOR YOUR PROTECTION AND SAVE ALL INSTRUCTIONS.

- Disconnect power before installing, adding or changing any component.
- To avoid a hazard to children, account for all parts and destroy all packing materials.
- It is recommended that fuse protection be added to the positive (+) input.

1. Determine the installation location for your light and mark the mounting holes.
Pre drill the holes if necessary.
Mount the bracket using #8 flat head screws appropriate for your mounting substrate (not provided). Do not over tighten screws.
Wire the light as shown below and snap the light onto the bracket.



2. Wiring diagram



3030 Corporate Grove Dr.
Hudsonville, MI 49426
Phone: 616.396.1355
itc-us.com

For warranty information please visit www.itc-us.com/warranty-return-policy
DOC #: 710-00233 · Rev B · 04/01/24