

Luna Courtesy Light

INSTALLATION INSTRUCTIONS

Part#: RNLL12XX-0412-KIT

PARTS / TOOLS NEEDED:

				
Luna Courtesy Light w/ SS End Caps	Mounting Screws (Qty: 2)	Silicone Sealant (not provided)	Butt Splices (not provided)	Power Drill (not provided)

Safety Instructions

- Disconnect power before installing, adding or changing any component.
- To avoid a hazard to children, account for all parts and destroy all packing materials.
- Do not install any luminaire assembly closer than 6" from any combustible materials.

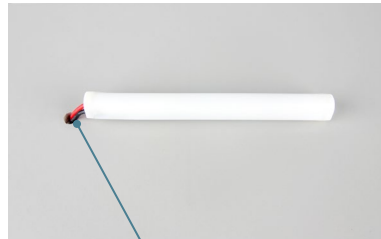
Installation Considerations

- Do not bend lighting more than necessary. It should only be bent to a 1" radius. Bending to a tight 90 degree angle could cause damage to the circuit.
- Only bend the LED ribbon in one natural direction, do not try to bend in an unnatural direction such as twisting.
- Start installation at the wire lead end.

- 1.** Determine installation location and drill a hole in the mounting surface for wires.



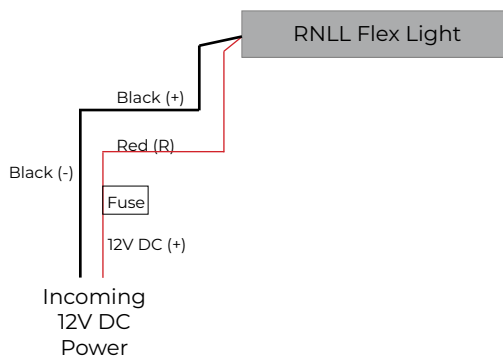
- 2.** Feed the wires into the hole and apply silicone* around the hole and wires.



- 3.** Secure the encaps to the mounting surface using the provided screws



- 4.** Follow the wiring diagram below to wire the light to your system.

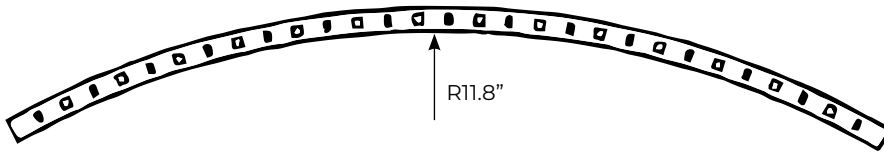


3030 Corporate Grove Dr.
Hudsonville, MI 49426
Phone: 616.396.1355
itc-us.com

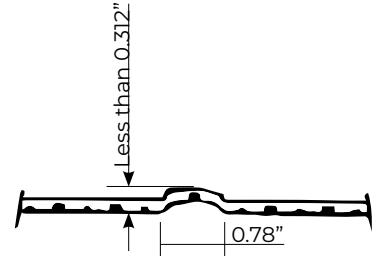
For warranty information please visit www.itc-us.com/warranty-return-policy
DOC #: 710-00113 · Rev A · 04/02/19

Please review the considerations below to ensure a successful installation.

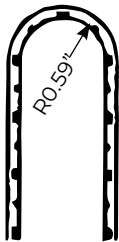
***RNLL flexible lighting cannot be field cut. Field cutting the light will void the warranty.**



Do not horizontal bend to a radius of less than 11.8"



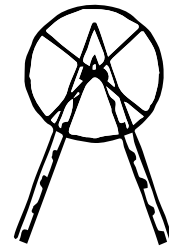
Do not axial bend to the height of more than 0.312" within 0.78" segment



Do not bend to a radius of less than 1/2"



Do not twist more than 90° over the length of one 24V segment / Two 12V segments (4" total length)



Do not bend flexible light at 90°

