

MAIA™

Personal LED Task Light



YOUR LED VISION ILLUMINATED

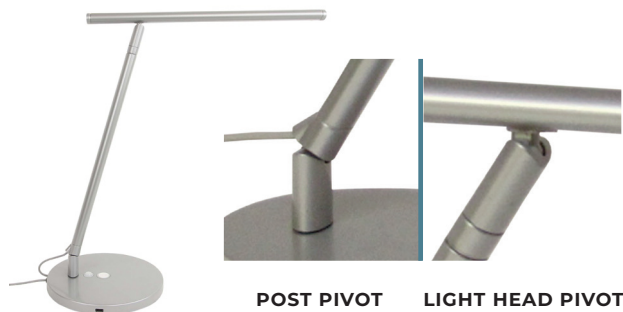
An impressive fusion of form, function, and sustainability combine to create the Maia Personal LED Task Light. The clean simple form of Maia complements any interior workspace from home to office, while its adjustable functionality offers superior ergonomic flexibility. Maia's high intensity LEDs produce a high quality 3500 Kelvin pool of light, ideal for task lighting, plus the maintenance free, energy saving technology delivers value for the entire 50,000 hours of LED life. The high quality of Maia's light output is in its design. The precision engineered optics feature a polycarbonate lens coupled with MacAdam Ellipse binned LEDs for consistent high Color Rendering Index.

This sleek, uniquely designed lamp offers multiple pivot points for custom light placement, as well as several additional benefits, such as integral dimming controls, PIR occupancy sensor and both A and C USB charging ports. Maia's energy savings, reduced environmental impact motion sensing occupancy sensor and high-quality durable construction make it the new standard in personal LED task lighting.



3030 Corporate Grove Dr.
Hudsonville, MI 49426
Phone: 616.396.1355
itc-us.com

REV: 081122

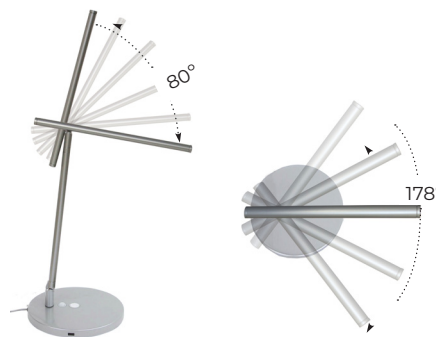


Part Numbers

- 69E110-WH** | Without PIR - White
- 69E110-SL** | Without PIR - Silver
- 69E115-WH** | WITH USB & PIR - White
- 69E115-SL** | WITH USB & PIR - Silver

Product Features

- Available in white or silver finish
- Sleek contemporary design to complement any environment
- Pillow textured lens provides even lighting and eliminates shadows and striping
- Beautiful 3500K light output with a 50,000 hour (20 year) LED life
- Pivoting post and head provides custom positioning of light placement
- Full range dimming capable to provide the perfect light output levels
- Energy efficient: 58 lumens of light for every watt of energy used
- Optional USB A and C ports provide a convenient desk top charging source
- Base integrated Occupancy Sensor options



Head Pivot Range: 80° Vertically & 178° Horizontally



Post Pivot Range: 65° Vertically

Product Specifications

	Low	High
Housing Material	Powder Coated Aluminum	
Lens Material	Clear Polycarbonate	
Voltage	24V DC	
Wattage	1W	5W ± 10% (light only) w/ USB 36W
Current	0.045A	0.20A ± 10% (light only) w/ USB 1.5A
Current (USB)	USB-A : 5V @ 1.5A USB-C : 12V @ 1.5A	
Lumens	55LM	220LM
Color Temp.	3500K ± 300K	
Footcandles [16" above worksurface]	13FC	96FC
Efficacy	58 LM/W	
Recyclability	97% recyclable [excluding power supply]	

