

# Hemlock™ Table Leg

## INSTALLATION INSTRUCTIONS

Part#: PACTL, PACFB & PACTB

### PARTS/TOOLS NEEDED:

			#12 Oval Screws	
Table & Table Base	Floor Base	Table Leg	(Not Provided)	Power Drill w/ 3/4" Bit (Not Provided)

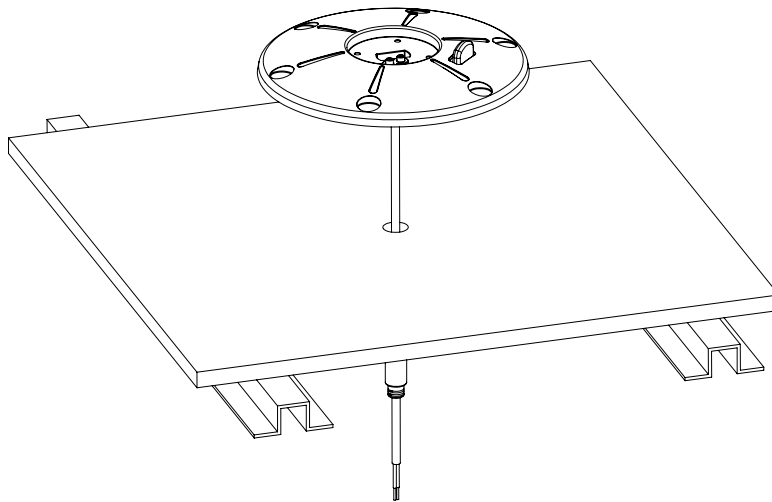
### INSTALLATION CONSIDERATIONS

- To avoid a hazard to children, account for all parts and destroy all packing materials.
- Do not sit on or lean on table, intended for use as a table only.
- The stiffness and rigidity of the floor mounting substrate has a direct effect on the sturdiness of the entire table system.

### WARNINGS

- Hemlock Powered table legs are only intended to be used with Hemlock Powered floor bases and table bases supplied by ITC, Inc. DO NOT USE components from Hemlock with components from any other system. If this is not followed, damage to components will occur.
- Hemlock powered floor bases come with an integral fuse to protect the table leg and table system. Do not cut this fuse off during installation.
- The Hemlock Powered table leg system utilizes gold plated contacts to ensure reliable electrical contact over the life of the system. Contacts should be periodically cleaned to reduce salt or other mineral build up over time, especially in saltwater environments.
- Hemlock Powered table system is designed to be used with a 10-16VDC environment with a maximum current of 6A.
- When routing wires, care must be taken to route wires away from sharp objects that can damage electrical wires under vibration. Use wire restraints and grommets as necessary.
- The provided floor base cap should be used whenever the leg is not installed to protect the electrical contacts.

1. Locate the position of the floor base. Care should be taken to evaluate the backside of the mounting surface to ensure that wire clearances and routing is considered with regards to any supports that are located under the floor. It is also recommended to evaluate the release button location and the positioning of the wire exit relative to the button.



2. Once floor base location and wire entry hole position is located, Using the template, mark the location of the wire entry hole and mounting screw holes. The wire entry hole should be sized to  $\frac{3}{4}$ " to allow in-line fuse to pass through the hole. Mounting screw holes should be sized appropriately for mounting floor material and screw style. #12 screws are recommended for installation. Drill holes appropriately.



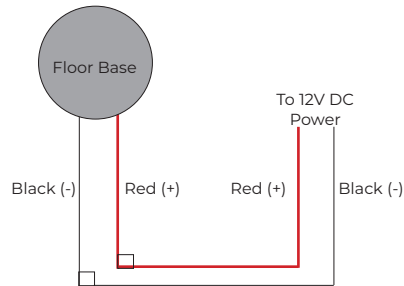
3030 Corporate Grove Dr.  
Hudsonville, MI 49426  
Phone: 616.396.1355  
[itc-us.com](http://itc-us.com)

For warranty information please visit [www.itc-us.com/warranty-return-policy](http://www.itc-us.com/warranty-return-policy)  
DOC#710-00203 • Rev A • 11/18/21

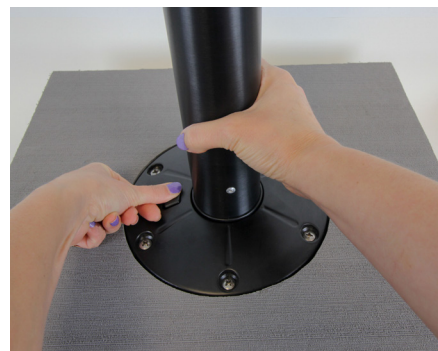
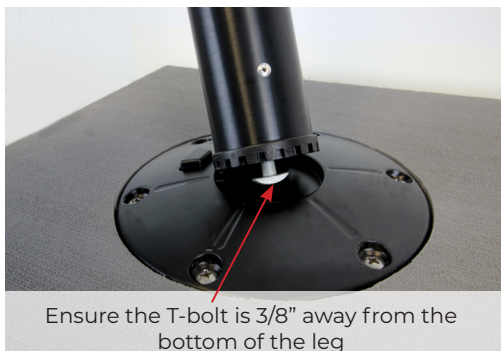
3. Install base to floor using installer supplied mounting screws.



4. Route the wires to the electrical connection point for the power. Care should be taken to route wires away from sharp objects that can damage the electrical wires. Use wire restraints and grommets as necessary.  
**ATTENTION:** If connecting the floor base to ITC "RGB over Two-Wire", please follow "RGB over Two-Wire" connection instructions.



5. Align the T-bolt on the bottom of the leg with the rectangular opening in the floor base. Insert the T-bolt, press and hold the button and begin to turn. After one turn, pull up on the leg to ensure that the T-bolt is secure in the floor base. Continue to turn the leg until the leg is secure.



6. Align the table base to the leg and push down. To ensure the table base is secure to the table leg make sure the table base goes over the first black piece.



#### Removing The Leg & Table Base

- <sup>1</sup>To remove the table base, press the button at the top of the post.  
 \*First twist until it releases from taper fit then lift until it pops off the post. <sup>2</sup>To remove the leg, press the button, then turn the leg counter-clockwise and lift gently until the leg removes from the base  
<sup>3</sup>Place cover on floor base when the leg is not in place.



\*The button must be held down until the base pops off.

