

# Wander™

## Horizontal Bend

### Diffused Flex Light



#### Features

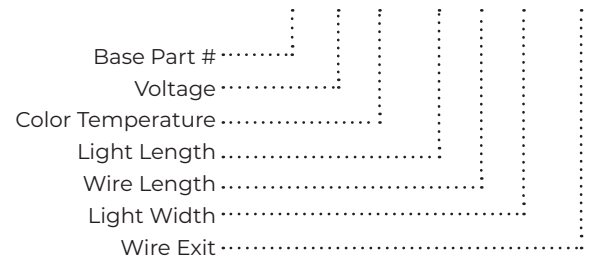
- Bottom wire exit provides a clean, seamless installation with no visible wires
- Electronics design ensures even light output from beginning of the strip to the end with minimal drop in output
- The horizontal bend radius allows for installation around curved ceilings and signage
- RGB(W) chips provide an endless amount of color combinations
- IP66 rated for installation in exterior or wet locations
- Lock out circuit prevents the RGB and white chips from being on at the same time

#### Product Details

Type	Single Color	RGB/RGBW
Housing Material	Diffused Silicone	
Voltage	10-14V DC	
Wattage	2.5W/Ft	RGB: 2.9W/Ft RGBW: 2.2W/Ft
Current	0.18A/Ft	RGB: 0.21A/Ft RGBW: 0.16A/Ft
Lumens	92LM/Ft @ 4000K	35LM/Ft @ RGB White
Color Temp.	3000K, 4000K or 6500K	RGB or RGBW
IP Rating	IP66	
UV Stable	Yes	
Wire Gauge	18 AWG	24 AWG
Listing	UL	

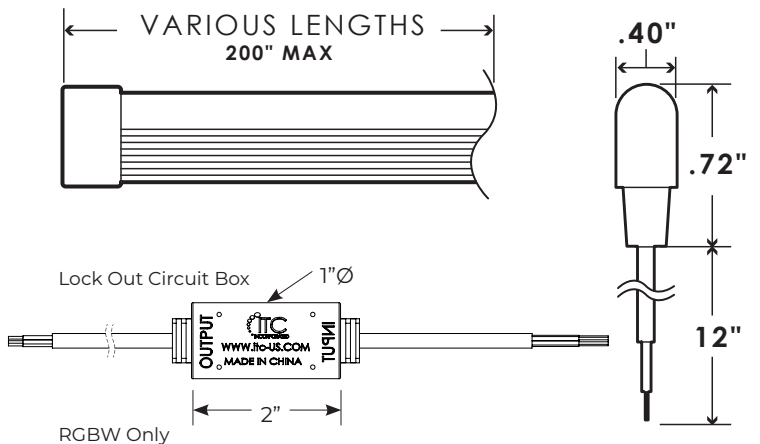
#### Specification Guide

##### Sample Part #: HMTL1215-20012-10-BW



Base Part #	Voltage	Color Temp.	Light Length	Wire Length	Light Width	Wire Exit
HMTL	12 - 12V	30 - 3000K 40 - 4000K 65 - 6500K 15 - RGB RW - RGBW	200 - 200"	12 - 12"	10 - 10mm	BW - Bottom Wire Exit

Note: Light cannot be field cut, contact sales for information on custom lengths



# Accessory Specification

Mounting Clip - Qty 1 (recommend one clip every 12")	150-00251
Mounting Clip Kit - Qty 12	800-00218
72" Plastic Extruded Channel Screw Mount White	HMTL10-72-WH
72" Plastic Extruded Channel Screw Mount Black	HMTL10-72-BK

