

# Ethernet to CAN Web Server



RGB(W) Controller

Web Server

OEM Digital Dash

## Features

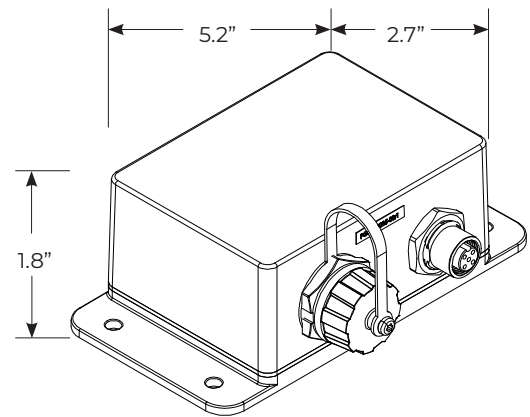
- Compatible with Garmin's OneHelm system
- Proprietary ethernet to CAN server works with ITC's Versi-Control system and OEMs digital dash
- Lighting integration frees up space in the helm for centralized control and a sleek clean look
- The system interface allows the user to control up to 16 independent zones of light per boat
- Simple intuitive screen design makes controlling the lights functional and fun
- Plug and play standard RJ 45 C-size connectors, make installation quick and easy

## Product Details

	Ethernet Server	Control Module
Housing Material	Steel Reinforced Plastic	
Voltage	11 - 28V DC	
Current*	N/A	2 Zone: 16A Max <sup>1</sup> / 4 Zone: 20A Max <sup>1</sup> 8A/Zone Max <sup>2</sup> / 2.65A/Channel
Remote Distance	N/A	100FT
Bluetooth Version	N/A	Bluetooth 4.0 BLE (IOS 10.0 / Android 5.0 or greater)
IP Rating	IP66	
UV Stable	Yes	
Operating Temp.	-20°C - 50°C	

## Specification Guide

**Part #: EWS-JG-A**



- 1 Always fuse the zone output line if wiring and load cannot handle the maximum current of 20A if a short occurs
- 2 An additional 18A can be gained through the use of the ITC RGB amplifier, part #21080-18
- 3 EMC : FCC Part 15 Class B

