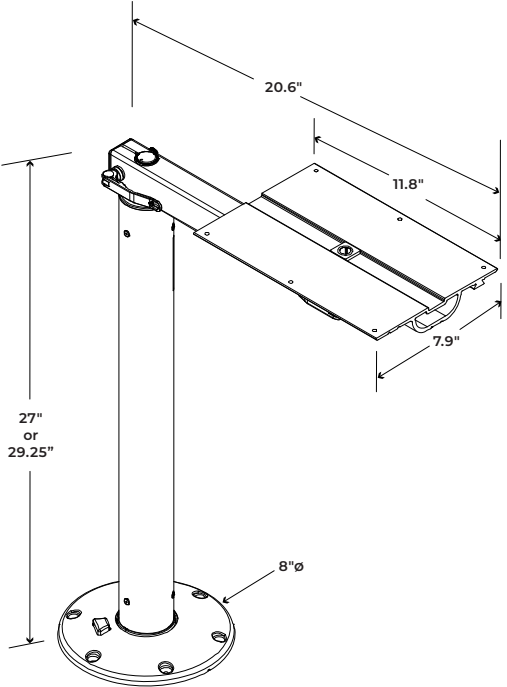


Sample Part #: DAL-FF-1A-LLHH-XX

Base Part #
 Finish Options
 Horizontal Arm
 Horizontal Arm Length
 Overall Height
 Floor Base Finish

Floor Base MOD Leg Table System

Base Part #	Finish Options	Horizontal Arm	Length of Horizontal Arm	Height of Assembly	Floor Base Finish
DAL	CL - Clear Anodized BK - Black Anodized	1A - Standard	16 - 16"	27" - 27" 29" - 29"	SS - Polished Stainless Steel S1 - Silver Powdercoat B1 - Black Powdercoat



Features

- The arm, leg, and table base all come apart for more convenient storage.
- The classic floor mount allows for easy installation.
- The table top is adjustable with a 360° swivel to go from eating to working.
- The vertical leg is available in 27" and 29" standard stock, additional heights are available with minimum order quantities.
- Easy, quick removal makes the system perfect to stow away when the table is not being used.

