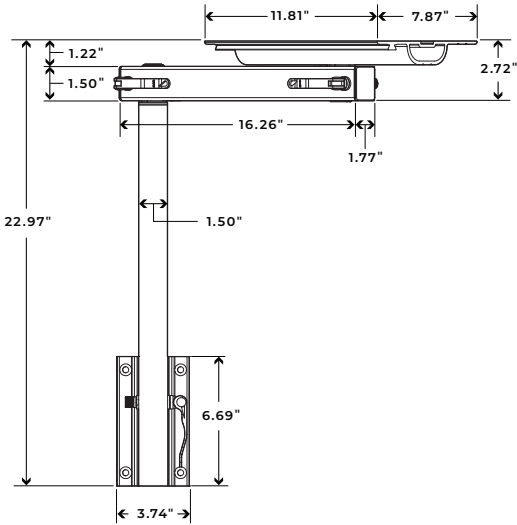


Mod™ Table Leg System



Features

- Perfect for situations that require the table to be mounted in multiple locations without the addition of multiple tables and legs to store
- Robust, plastic shim provided to get proper spacing for rotation off of the wall
- The mounting plate on the wall eliminates the bulky floor bases from traditional legs
- The leg is height adjustable with a 360° swivel to go from eating to working
- Easy, quick removal makes the system perfect to stow away when the table is not being used
- Horizontal arm on the tilting version can be adjusted in 22.5° increments
- Tilting version allows the table to be stored flat against the wall

Specification Guide

Sample Part #: BAL-CL-1A-1622

Base Part #
 Finish
 Arm Option
 Length

Base Part #	Finish	Arm Option	Length
BAL	CL - Clear Anodized BK - Black Anodized	1A - Standard Arm 1B - Tilting Arm	1622 - 16"L x 22"H

810-00574-CL : Clear anodized wall base with gray wall spacer
 810-00574-BK : Black anodized wall base with black wall spacer

