

Peak™ AC Flex Light



Features

- Designed for exterior and interior applications
- Direct wire to building electrical systems and requires no power supply
- Can be installed in lengths up to 164'
- Consistent dimmable light output throughout the entire length
- Each run comes standard with inline fuse protection
- Robust PVC housing protects against damage during installation and from the external environment

Specification Guide

Sample Part #: ACC12030-500015-16-01

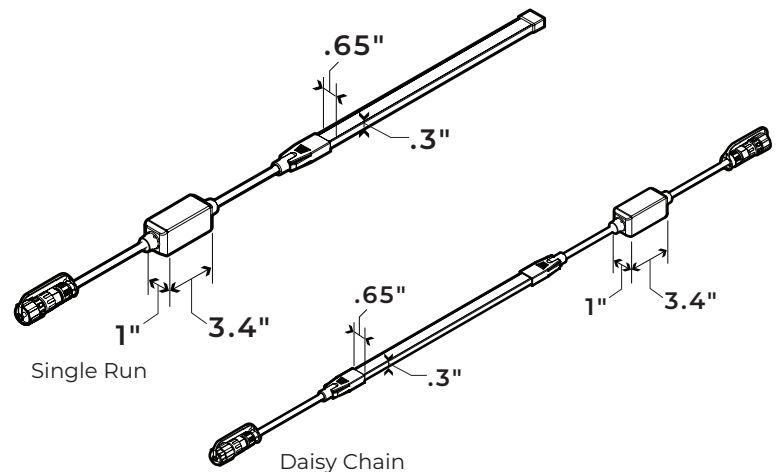
Base Part #.....
 Voltage.....
 Color Temp.....
 Light Length (cm).....
 Wire Length (in).....
 Light Width (mm).....
 Run Type.....

Base Part #	Voltage	Color Temp.	Light Length (cm)	Wire Length (in)	Light Width (mm)	Run Type
ACC	120	30 - 3000K 40 - 4000K	5000 - 164 Ft	15	16	01 - Single run 02 - Daisy chain

Note: Contact sales for custom lengths

Product Details

Housing Material	PVC
Voltage	120V AC
Wattage	3.1W/Ft
Current	0.03A/Ft
Lumens	505LM/Ft @ 3000K
Color Temp.	3000K or 4000K
IP Rating	IP65
UV Stable	Yes
Wire Gauge	18AWG
Operating Temp.	-4°F to +120°F
Listing	ETL Listed to UL1598

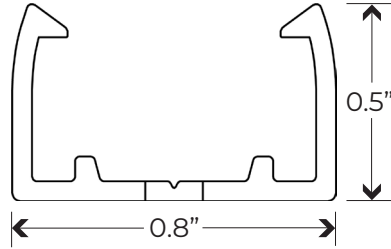


Mounting Accessories

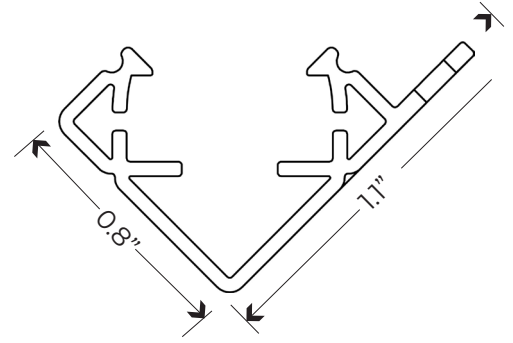
Part #	Description
810-00863	72" 45° Plastic Mounting Channel
810-00862	72" Straight Plastic Mounting Channel
U150-00322	Metal Mounting Clips



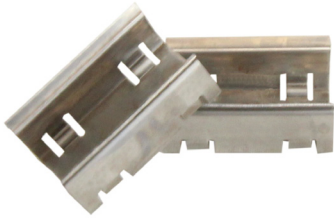
Plastic Mounting Channels



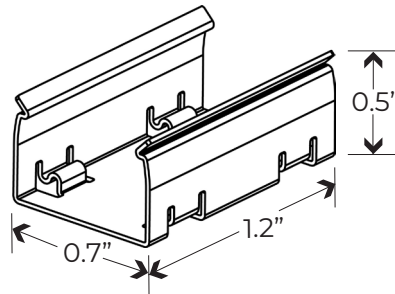
Straight Mount Channel



45° Mount Channel



Metal Mounting Clips



Approved Dimmers

Lutron Dimmers

SCL-153P	Single-Pole/3-Way Hardwired 120V AC LED Dimmers
CTCL-153P	
DVCL-153P	
RCL-153PNL	
CTCL-150	
TGCL-153PH	

Leviton Dimmers

IPL06-10M	150W LED Slide Dimmer
DSL06-1TW	Single Pole/3-Way Universal Rocker Slide Dimmer

Note: Dimmers are not sold by ITC and must be purchased separately.

