

Stainless Steel Drink Holder



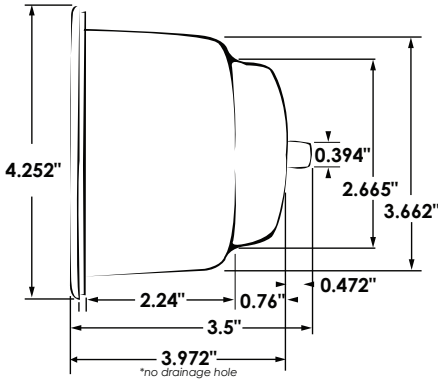
Features

- High polished 304 or 316 stainless steel for superior corrosion resistance
- Noise reduction pad included
- Stepped bottom version available with or without drainage hole
- Simple installation with VHB tape
- Rubber pad and insert provide secure attachment for drain tube (not included)

Part Numbers

81421NSS-HP	316SS Drink Holder w/ Drain Hole
81423NSS	304SS Drink Holder w/ Drain Hole
81423NSS-HPNN	304SS Drink Holder w/o Drain Hole
81423-ELBOW	90° Elbow for 3/8" Drain Tube
81421-PLUG	Drain Hole Plug
530-00001	Replacement Adhesive Pad

SS Drink Holders [81421NSS & 81423NSS]



Product Details

Housing Material	81421NSS: 316 Grade Stainless Steel 81423NSS: 304 Grade Stainless Steel
Cutout Dimension	3.625"
Drainage	3/8" Nipple Fitting
Mounting	VHB Tape 4941

