

# Navigation Light

## INSTALLATION INSTRUCTIONS

Part#: 69642FF-X

### PARTS/TOOLS NEEDED:

					
Navigation Light	Hardware Pack	Power Drill (Not Provided)	Marine Wire Connectors	Wire Grommet (Not Provided)	Silicone Sealant (Not Provided)

### IMPORTANT SAFETY INSTRUCTIONS. READ CAREFULLY FOR YOUR PROTECTION AND SAVE ALL INSTRUCTIONS.

- Disconnect power before installing, adding or changing any component.
- To avoid a hazard to children, account for all parts and destroy all packing materials.
- It is recommended that fuse protection be added to the positive (+) input.

1. Drill a 3/4" hole in your mounting surface. Mark the screw holes using the template and drill pilot holes. To prevent damage to the wires install a wire grommet.

The light can either be mounted from the top or the bottom.

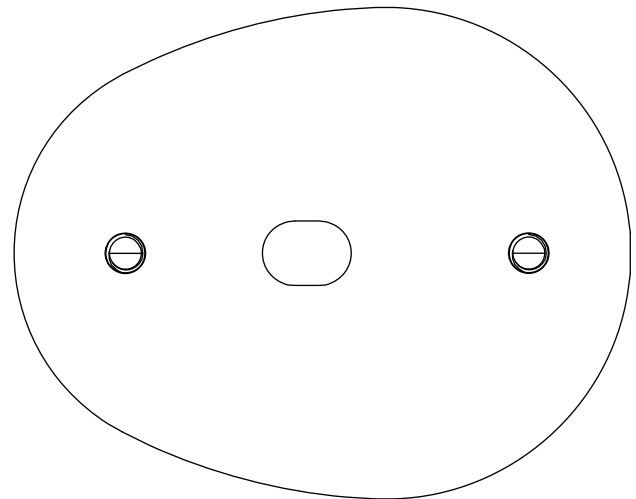
#### Top mount install:

Remove the stainless steel cover. Feed the wires through the pre-drilled hole and mount the light to the boat facing straight forward. Use the screw from the hardware pack to affix the cover.

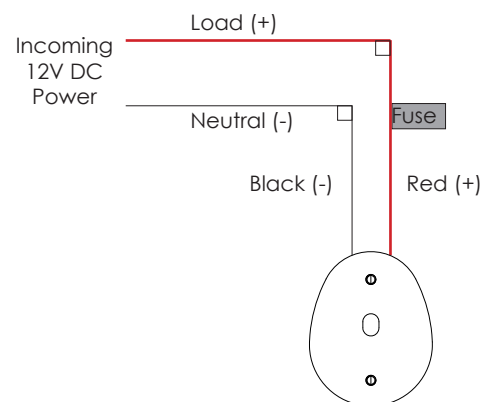
#### Bottom mount install:

*Option 1:* Remove the stainless steel and plastic cover and install nuts from the hardware pack. Affix to the boat with an M5 fastener of appropriate length holding down nut. Replace covers and affix with screw from hardware pack.

*Option 2:* Remove the stainless steel and plastic cover and install nuts from the hardware pack. Replace covers and affix with screw from hardware pack. Affix to the boat with an M5 fastener of appropriate length holding down nut.



2. Wire the light based on the wiring diagram. Use silicone sealant around the wires to prevent any ingress of water.



3030 Corporate Grove Dr.  
Hudsonville, MI 49426  
Phone: 616.396.1355  
[itc-us.com](http://itc-us.com)

For warranty information please visit [www.itc-us.com/warranty-return-policy](http://www.itc-us.com/warranty-return-policy)  
DOC #: 710-00178 · Rev B · 11/02/2022