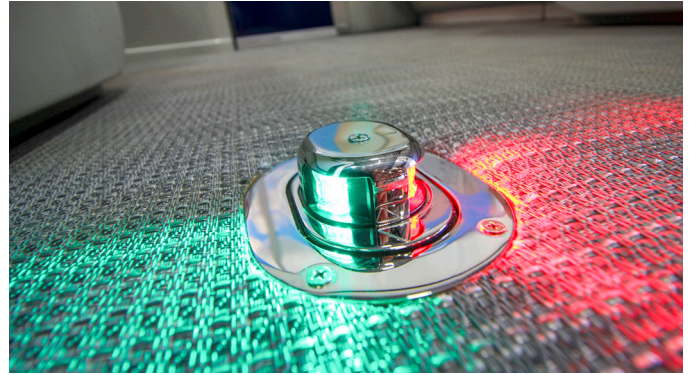


LED Flip Navigation Light



Features

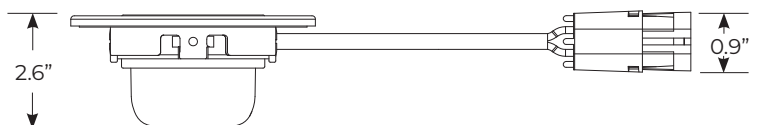
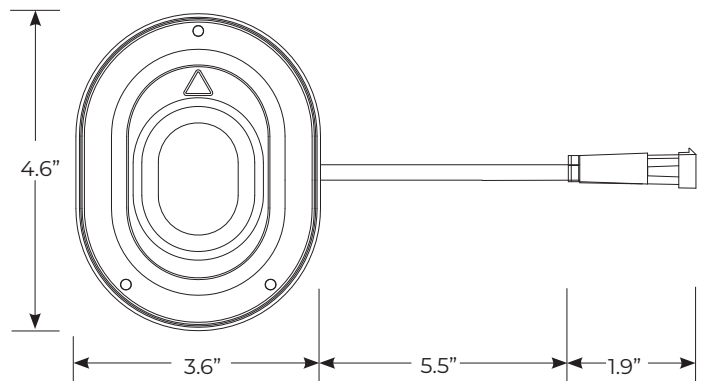
- Corrosion resistant stainless steel housing
- Flip over option lets you stow the light when not in use, preventing a tripping hazard
- Innovative mechanical design allows you to simply press the light in place when needed
- Available with Delphi plug in connector for easy installation
- Meets or exceeds ABYC C-5, UL, NMMA, "72 COLOREGS from the US Inland Navigation Rules & US Coast Guard Regulated Standards

Product Details

Housing Material	Stainless Steel
Lens Material	PolyCarbonate
Voltage	13.6V DC
Wattage	0.4W
Current	0.03A
Color Temp.	Red and Green
IP Rating	IP66
Wire Gauge	18AWG
Visibility	2NM

Part Numbers

69636HSS Red (Port)/Green (Starboard)
 69636HSS-PACK Navigation Light w/ Connector



ABYC
 Certified



3030 Corporate Grove Dr.
 Hudsonville, MI 49426
 Phone: 616.396.1355
itc-us.com

REV: 060823