

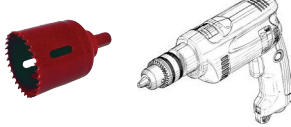
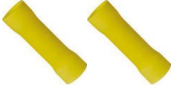


Cluster Courtesy Light

INSTALLATION INSTRUCTIONS

Part#: 69600

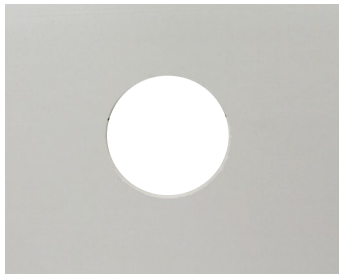
PARTS NEEDED:

			
Courtesy Light	Mounting Screws	Power Drill w/ Hole Saw Bit	Butt Splices

Safety Instructions

- Disconnect power before installing, adding or changing any component.
- To avoid a hazard to children, account for all parts and destroy all packing materials.
- Do not install any luminaire assembly closer than 6" from any combustible materials.
- It is recommended that fuse protection be added to the positive (+) input.

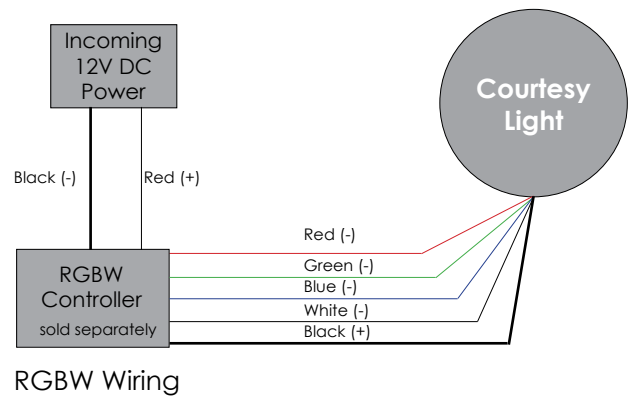
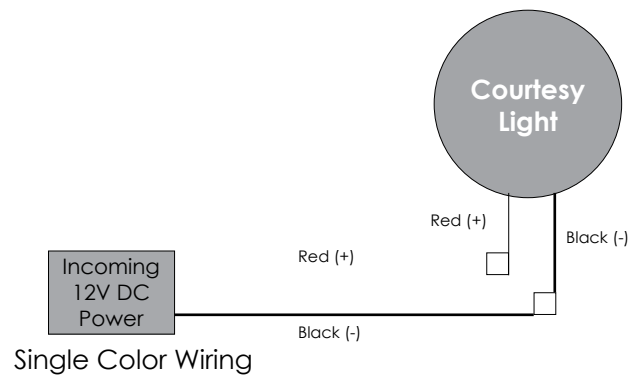
1. Determine where your LED light fixture will be installed. Once determined, drill a 2" hole using a hole saw.



2. Mark location of screw holes and pre-drill. Screw in fixture and snap bezel onto the light.



3. Use the wiring diagram below to wire the light to the units power. Test the light.



3030 Corporate Grove Dr.
Hudsonville, MI 49426
Phone: 616.396.1355
itc-us.com

For warranty information please visit www.itc-us.com/warranty-return-policy
Rev A · 04/07/20