

# Pin Courtesy Light

## INSTALLATION INSTRUCTIONS

Part#: 69516, 69517

### PARTS/TOOLS NEEDED:

		
Pin Light		Power Drill (Not Provided)

### INSTALLATION CONSIDERATIONS

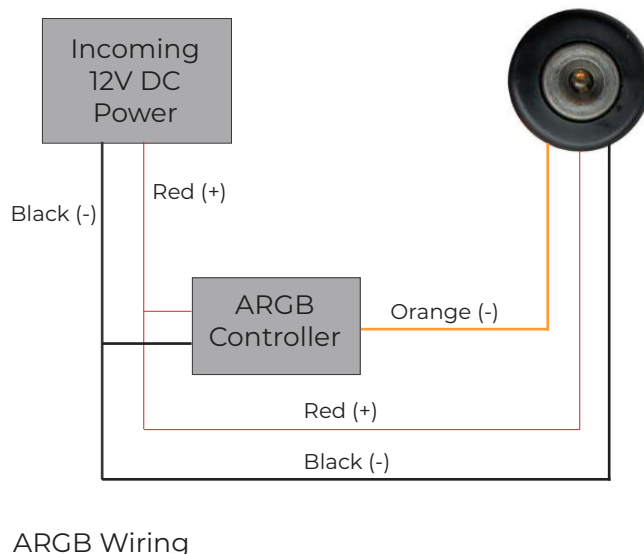
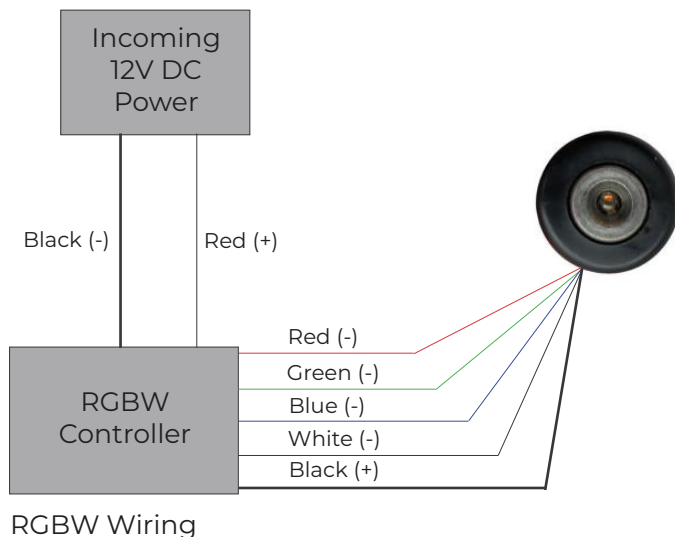
- To avoid a hazard to children, account for all parts and destroy all packing materials.
- Disconnect power before installing, adding, or changing any component.
- Positive (+) outputs require a fuse if the attached wire leads are not rated to handle the max current.
- The brushed nickel bezel can be used in interior applications only.
- LEDs are polarity sensitive and will not light if not attached properly.

#### 1. WITHOUT BEZEL:

- Drill a 0.375" for single color or 0.5" for RGB(W)/addressable hole in the mounting surface
- Attach wires to the power source. Red is positive and black neutral
- Slide light off the rubber grommet, install rubber into the hole, and then slide the light back into the grommet

#### WITH BEZEL:

- Remove the rubber grommet and throw away
- Drill a 0.4375" hole in mounting surface
- Attach wires to the power source. Red is positive and black neutral
- Slide the bezel and light into the mounting surface



3030 Corporate Grove Dr.  
Hudsonville, MI 49426  
Phone: 616.396.1355  
[itc-us.com](http://itc-us.com)

For warranty information please visit [www.itc-us.com/warranty-return-policy](http://www.itc-us.com/warranty-return-policy)  
Rev C · 06/26/23