

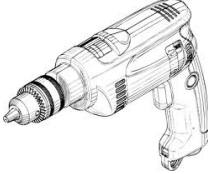



Surface Mount Docking/Backup Light

Part#: 69389

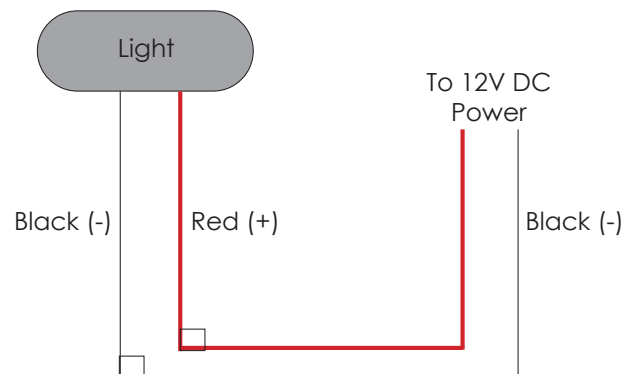
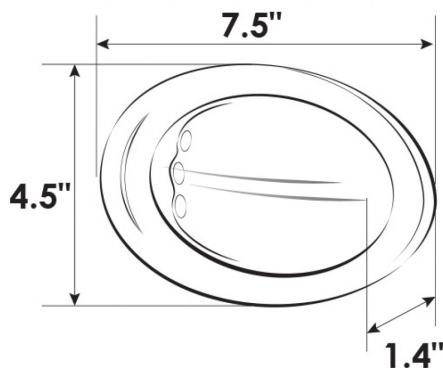
INSTALLATION INSTRUCTIONS

PARTS NEEDED:			
			
Docking/Backup Light	Mounting Screws	Power Drill	Wire Nuts (not provided)

Safety Instructions

- Disconnect power before installing, adding or changing any component.
- To avoid a hazard to children, account for all parts and destroy all packing materials.
- Operating Voltage: 10 - 14V DC

1. Remove bezel if not already disassembled
2. Determine the installation location for your light. Once determined drill a 0.5" hole
3. Connect wires to power source
4. Feed wires back through the hole and screw the light in place using the screws provided
5. Reattach bezel



3030 Corporate Grove Dr.
Hudsonville, MI 49426
Phone: 616.396.1355
itc-us.com

For warranty information please visit www.itc-us.com/warranty-return-policy
Rev A · 10/09/23