

# Push Lens Courtesy Light

## INSTALLATION INSTRUCTIONS

Part#: 69330 & 69331

### PARTS/TOOLS NEEDED:



Courtesy Light

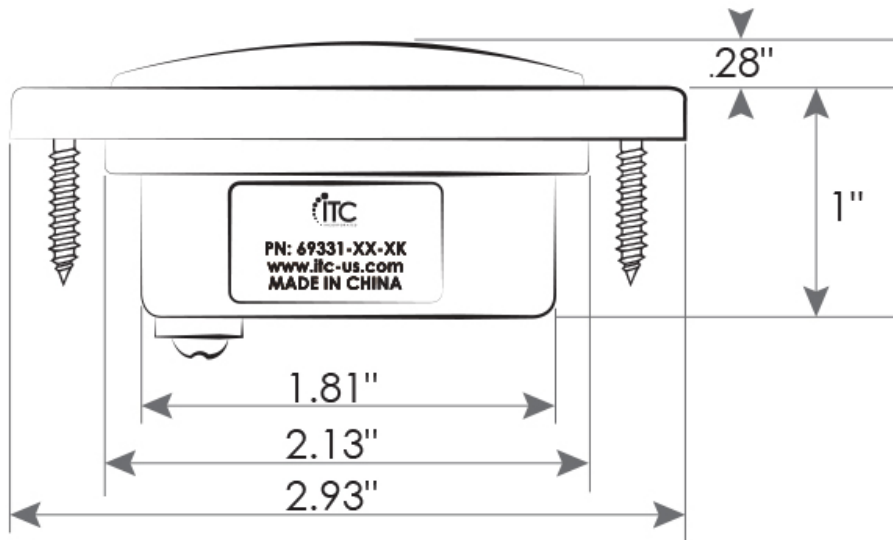


Power Drill  
(Not Provided)

### INSTALLATION CONSIDERATIONS

- To avoid a hazard to children, account for all parts and destroy all packing materials.
- Disconnect power before installing, adding, or changing any component.
- Positive (+) outputs require a fuse if the attached wire leads are not rated to handle the max current.
- The brushed nickel bezel can be used in interior applications only.
- LEDs are polarity sensitive and will not light if not attached properly.

1. - Turn bezel counterclockwise to remove  
- Drill hole in mounting surface with 2.125" hole saw  
- Install using included screws  
- Turn bezel clockwise to replace



3030 Corporate Grove Dr.  
Hudsonville, MI 49426  
Phone: 616.396.1355  
[itc-us.com](http://itc-us.com)

For warranty information please visit [www.itc-us.com/warranty-return-policy](http://www.itc-us.com/warranty-return-policy)  
Rev A · 07/20/16