

Hux™ Utility Light

INSTALLATION INSTRUCTIONS

Part#: 69260-KKKK-XX

PARTS/TOOLS NEEDED:			
			
Hux™ Utility Light	Four #8 Pan head screws (Not Provided)	Protective Grommet (Not Provided)	Power Drill

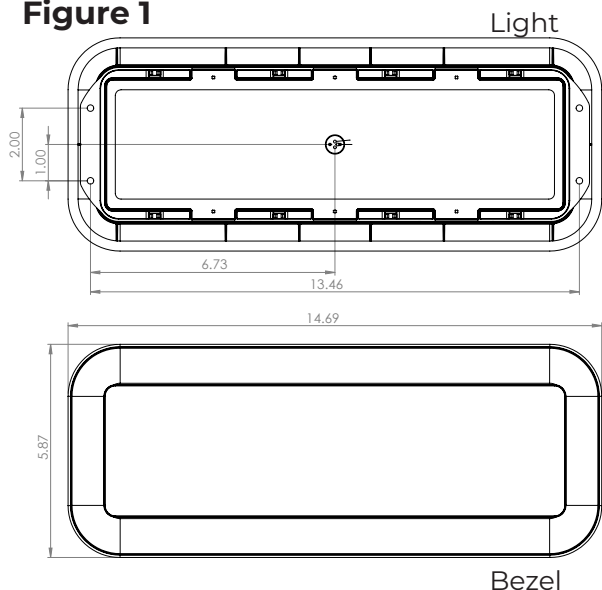
IMPORTANT SAFETY INSTRUCTIONS. READ CAREFULLY FOR YOUR PROTECTION AND SAVE ALL INSTRUCTIONS.

- Disconnect power before installing, adding or changing any component.
- To avoid a hazard to children, account for all parts and destroy all packing materials.
- It is recommended that fuse protection be added to the positive (+) input.

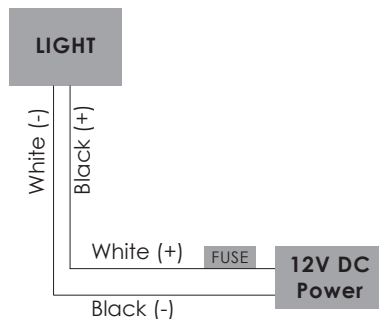
1. Ensure the intended area for mounting is large enough to fit the light and bezel per the dimensions shown in figure 1.
2. The wire exit is centered in the light. First mark the location on the mounting surface for wire entry. A 1/4" diameter hole is recommended for wire entry. If mounting to a metal ceiling material, ITC recommends using a protective grommet to protect the wires from cutting or fraying over time. Hole size may need to be larger depending on use of grommet.
See figure 1 for dimensions
3. Place light over wire entry hole and use the mounting screw holes as a template to mark the locations of the 4 screws.
See figure 1 for dimensions

4. Make wire connections to vehicle wiring system using the wiring diagrams below.

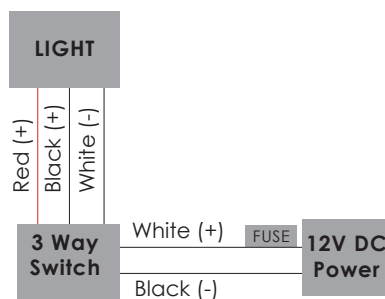
Figure 1



Single Color Wire Diagram



Dual Color Wire Diagram

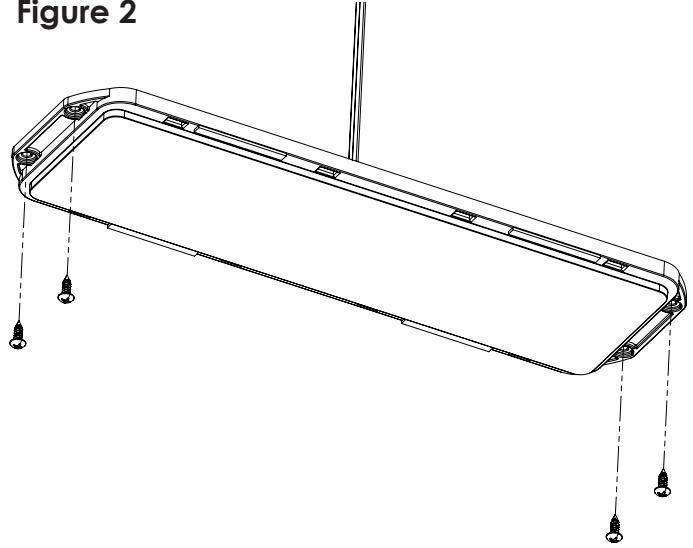


3030 Corporate Grove Dr.
Hudsonville, MI 49426
Phone: 616.396.1355
itc-us.com

For warranty information please visit www.itc-us.com/warranty-return-policy
DOC #: 710-00178 · Rev B ·11/02/2022

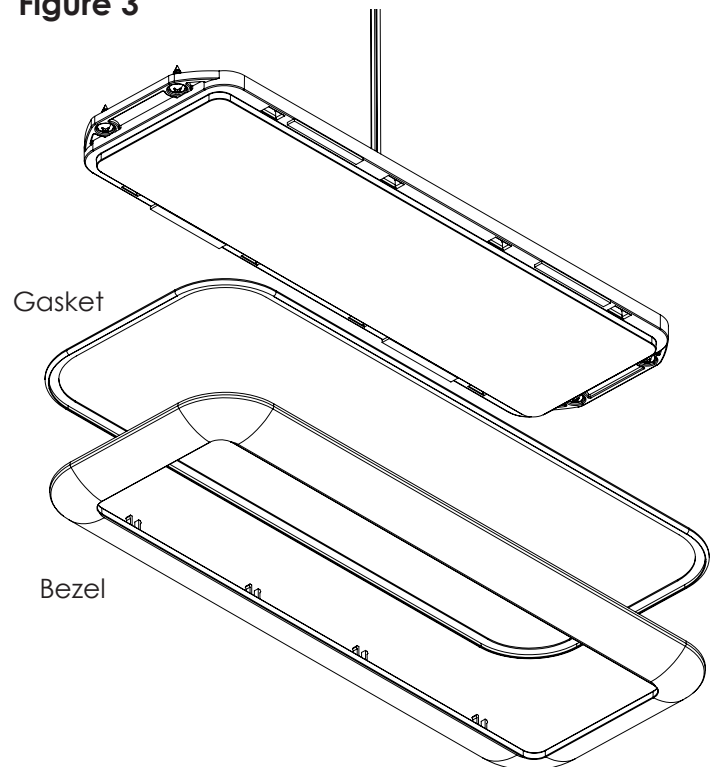
- Secure light to the ceiling using customer supplied #8 pan head screws.
see figure 2

Figure 2



- Place gasket into location around the bezel. The flat side of the gasket should be placed toward the mounting surface.
see figure 3

Figure 3



- Snap the bezel into the mounted light assembly. Ensure all snaps have fully engaged to secure bezel to the light
see figure 3

