


Radiance X2™ Light

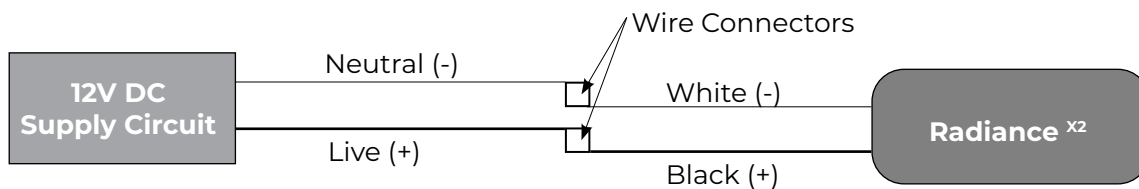
INSTALLATION INSTRUCTIONS

Part#: 69252-12-KK

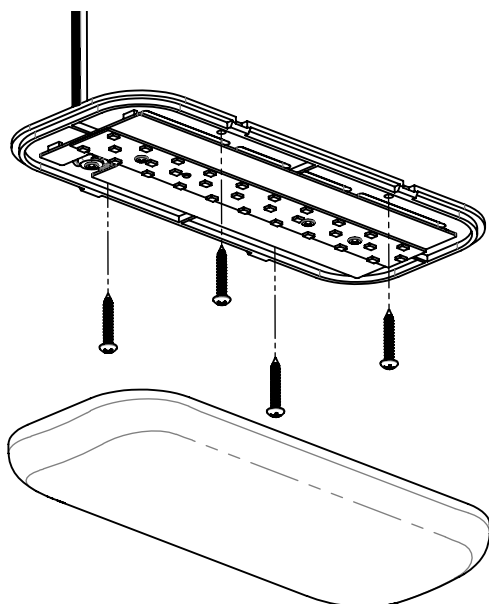
PARTS/TOOLS NEEDED:

		
Radiance ^{X2} Light	Four #6 Pan Head Screws (not provided)	Power Drill (not provided)

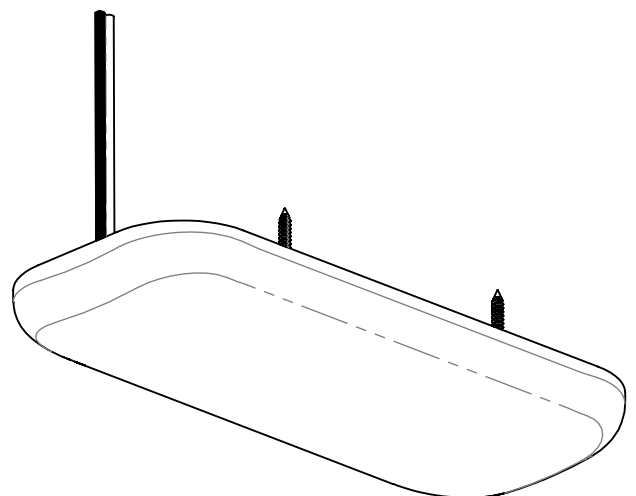
1. Start by removing the frosted lens from the fixture (Note, you may need to use a screw driver to gently remove the lens).
2. Use CSA approved wire connectors to connect the fixture's white neutral wire (-) to the neutral wire (-) on the unit's supply circuit. Next, connect the fixture's black live wire (+) to the live wire (+) on the unit's supply circuit.



3. Next, hold the fixture base up to the mounting surface and mark the location of each screw. Attach the light using #6 pan head screws (customer provided) to marked area.



4. Snap the frosted lens into place on the fixture and test light.



3030 Corporate Grove Dr.
Hudsonville, MI 49426
Phone: 616.396.1355
itc-us.com

For warranty information please visit www.itc-us.com/warranty-return-policy
Rev A · 01/19/16