

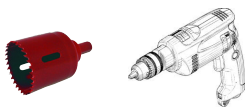



LED Radiance Light

INSTALLATION INSTRUCTIONS

Part#: 69231 & 69240

PARTS/TOOLS NEEDED:

			
Radiance Overhead Light	Wire Nuts (Not Provided)	Power Drill w/Hole Saw Bit (Not Provided)	Mounting Screws (Not Provided)

IMPORTANT SAFETY INSTRUCTIONS. READ CAREFULLY FOR YOUR PROTECTION AND SAVE ALL INSTRUCTIONS.

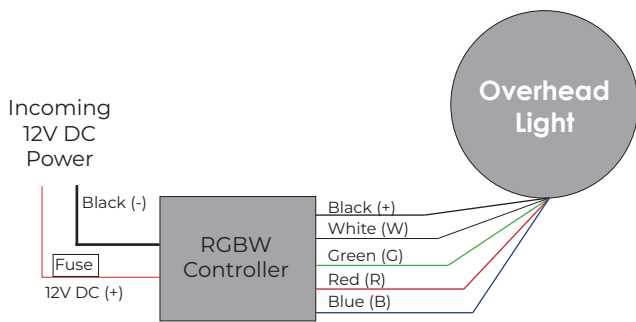
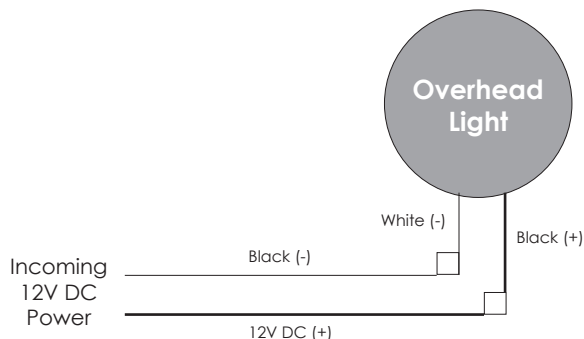
- Disconnect power before installing, adding or changing any component.
- To avoid a hazard to children, account for all parts and destroy all packing materials.
- It is recommended that fuse protection be added to the positive (+) input.

- Determine where your LED light fixture will be installed. Once determined, drill a hole using a hole saw (see chart below for hole size requirement).

Mounting Method	Cutout
69231 (81229)	2.25"
69240 (81232)	3.5"
69926	2.5"



- Use the wiring diagram below to wire the light to the units power.



- Installing the spring clip version: Push the clips on both sides of light up and slide housing and clips through hole. Clips will snap down and hold the light in place.



- Installing the screw mount version: Remove cover by twisting counter clockwise. Mark location of screw holes and pre-drill. Screw in fixture and re-install cover by twisting clockwise.



- Installing the leaf spring version: Push light in at an angle and press down on opposite side until light is firmly seated in hole.



3030 Corporate Grove Dr.
Hudsonville, MI 49426
Phone: 616.396.1355
itc-us.com

For warranty information please visit www.itc-us.com/warranty-return-policy
Revision Level D · 08/22/23