

Power Supply Recommendations

24V PLUG-IN POWER SUPPLY

Recommended | Fixtures with barrel connector ends (non-dimmable)

Part Number	Power Supply Description
690010.004	30W Plug-in wall wart power supply
690010.064P	100W Plug-in Fulham power supply

24V ELECTRONIC POWER SUPPLY

Recommended | Standard hardwire use / including RGB (non-dimmable)

Part Number	Power Supply Description
690010.081	20W Fulham electronic power supply
690010.035	60W Fulham electronic power supply
270-00267	100W Fulham electronic power supply
690010.063	320W MeanWell electronic power supply*
690010.097	600W MeanWell electronic power supply*
690010.129	96W Magnitude electronic enclosed power supply

24V 0 - 10 DIMMING POWER SUPPLY

Recommended | Commercial standard use / no RGB (0 - 10V dimming)

Part Number	Power Supply Description
690010.127	45W Meanwell power supply, 0-10V dimming
690010.128	150W Meanwell power supply, 0-10V dimming*
690010.080	320W Meanwell power supply, 0-10v dimming*

24V MAGNETIC OUTDOOR ENCLOSED POWER SUPPLY

Recommended | Standard commercial/residential use (MLV dimmer)

Part Number	Power Supply Description
690010.053	60W Magnitude Magnetic enclosed power supply
690010.094	150W Magnitude Magnetic enclosed power supply*
690010.095	200W Magnitude Magnetic enclosed power supply*
690010.096	300W Magnitude Magnetic enclosed power supply*

* Power supplies over 5 amp output are not class two and void UL on elio lighting.



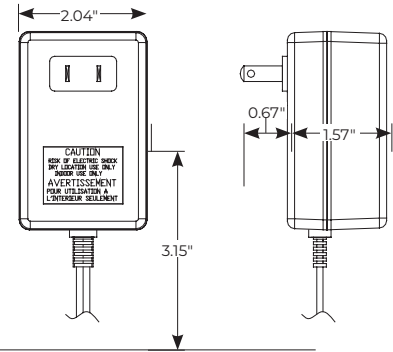
24V Plug-In Power Supplies

30 Watt Wallwart Switching Adaptor

Part Number | 690010.004

Product Details

Housing	Plastic
Wattage	30W
AC Input	100-240V AC
DC Output	24V DC, 1.25 A
Frequency	50-60Hz
Power Factor	0.9
Operating Temp	0°C - 40°C
Protection	Over-voltage, Over-current, Over-power & Short circuit protection



Features

- Direct plug-in electrical outlet.
- 5'-9" wire with barrel connector on DC side.
- Performs to ANSI/UL STD. 60950-1

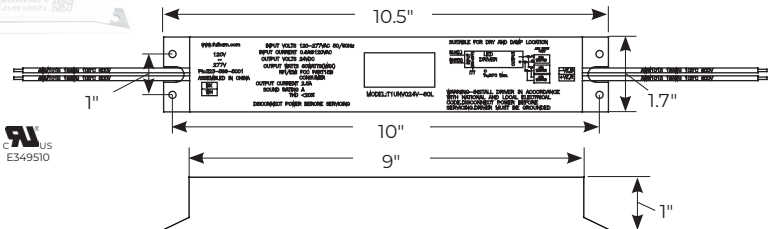
100 Watt Power Supply With Plug & Connector

Part Number | 690010.064P



Product Details

Housing	Plastic
Wattage	100W
AC Input	120 - 277V AC
DC Output	24V DC, 4.1A
Frequency	50-60Hz
Input Current	0.93A @ 120V AC
Power Factor	0.9 @ 120V AC
Operating Temp	-40°C - 51°C
Protection	Short Circuit, Overload, Over Voltage & Over Temperature



Features

- Compact and lightweight.
- Active power factor to reduce power consumption.
- IP64 rating

24V Hardwire Electronic Power Supplies

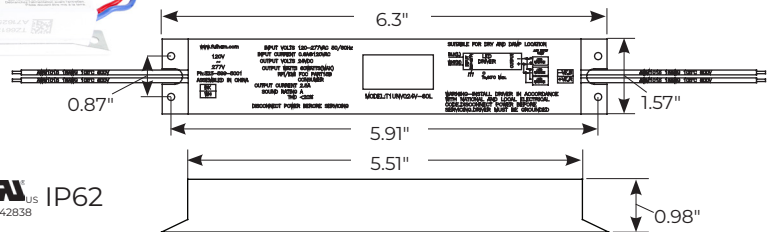
20 Watt Power Supply

Part Number | 690010.081



Product Details

Housing	Plastic
Wattage	20W
AC Input	100-277V AC
DC Output	24V DC Constant Voltage
Frequency	50-60Hz
Input Current	0.25 A @ 100V AC
Power Factor	>.90
Operating Temp	-20°C - 73°C
Protection	Over-voltage, Over-current & Short circuit protection, Auto-recovery.



Features

- UL1310 Class 2 compliant.
- Designed to work with LED products.
- Compact and lightweight.
- Active power factor to reduce power consumption.

Note: All power supplies should only be run to an 80% load



3030 Corporate Grove Dr.
Hudsonville, MI 49426
Phone: 616.396.1355
itc-us.com

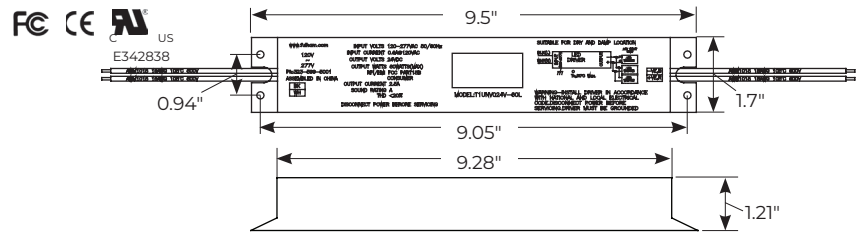
60 Watt LED Driver

Part Number | 690010.035



Product Details

Housing	Aluminum
Wattage	60W
AC Input	100-277V AC
DC Output	24V DC, 2.5A
Frequency	50-60Hz
Input Current	0.6 A @ 120V AC
Power Factor	>.90
Operating Temp	90°C



Features

- Designed to work with LED products
- Compact and lightweight
- Excellent power factor to reduce power consumption
- FCC Compliant

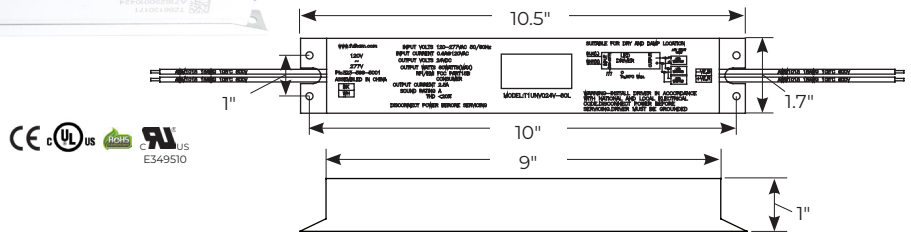
100 Watt Power Supply

Part Number | 270-00267



Product Details

Housing	Plastic
Wattage	100W
AC Input	120 - 277V AC
DC Output	24V DC, 4.1A
Frequency	50-60Hz
Input Current	0.93A @ 120V AC
Power Factor	0.9 @ 120V AC
Operating Temp	-40°C - 51°C
Protection	Short Circuit, Overload, Over Voltage & Over Temperature



Features

- Compact and lightweight.
- Active power factor to reduce power consumption.
- IP64 rating

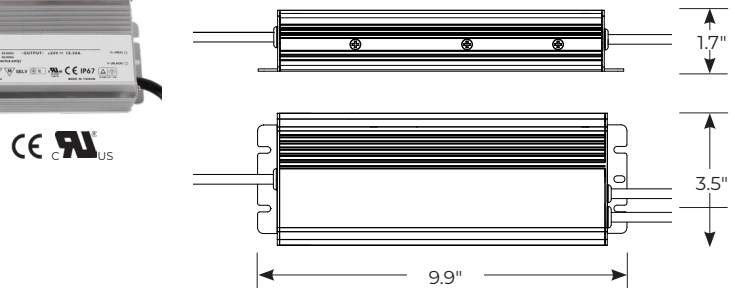
320 Watt LED Driver

Part Number | 690010.063



Product Details

Housing	Aluminum
Wattage	320W
AC Input	115-277V AC
DC Output	24V DC, 13.3 A
Frequency	47-63Hz
Input Current	0.75 A @ 277V AC
Power Factor	>0.9
Operating Temp	-40°C - 70°C



Features

- Designed to work with LED products
- Excellent power factor to reduce power consumption
- IP67 rated for wet locations

Note: All power supplies should only be run to an 80% load



600 Watt LED Driver

Part Number | 690010.097

Product Details

Housing	Aluminum
Wattage	600W
AC Input	115-277V AC
DC Output	24V DC, 25 A
Frequency	47-63Hz
Input Current	7 A @ 115V AC
Power Factor	>0.98
Operating Temp	-40°C - 90°C



Features

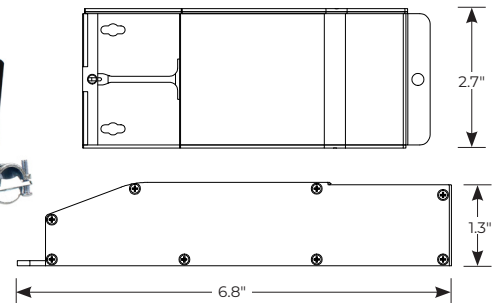
- Designed to work with LED products
- Excellent power factor to reduce power consumption
- IP67 rated for wet locations

60 Watt LED Electronic Driver

Part Number | 690010.130

Product Details

Housing	Aluminum
Wattage	60W
AC Input	120V AC
DC Output	24V DC, 2.6A
Frequency	50-60Hz
Input Current	0.6A @ 120V AC
Power Factor	0.95
Operating Temp	-30°C - 50°C



Features

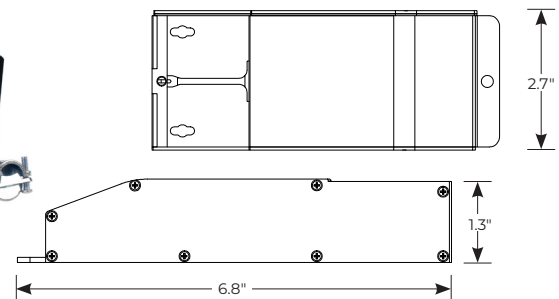
- Designed to work with Triac dimmers
- Constant voltage dimmer
- NEMA 3R rated

96 Watt LED Electronic Driver

Part Number | 690010.129

Product Details

Housing	Aluminum
Wattage	96W
AC Input	120V AC
DC Output	24V DC, 4.2A
Frequency	50-60Hz
Input Current	1 A @ 120V AC
Power Factor	>.95
Operating Temp	-20°C - 70°C



Features

- Designed to work with Triac dimmers
- Constant voltage dimmer
- NEMA 3R rated

Note: All power supplies should only be run to an 80% load



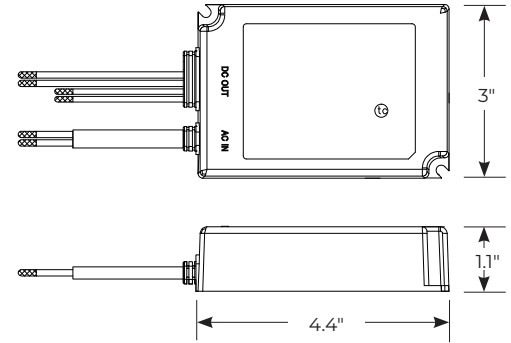
24V 0-10 Dimming Power Supplies

45 Watt LED Driver

Part Number | 690010.127

Product Details

Housing	Aluminum
Wattage	45W
AC Input	120V AC
DC Output	24V DC
Frequency	47-63Hz
Input Current	1.9 A @ 120V AC
Power Factor	>0.95
Operating Temp	50°C - 85°C



Features

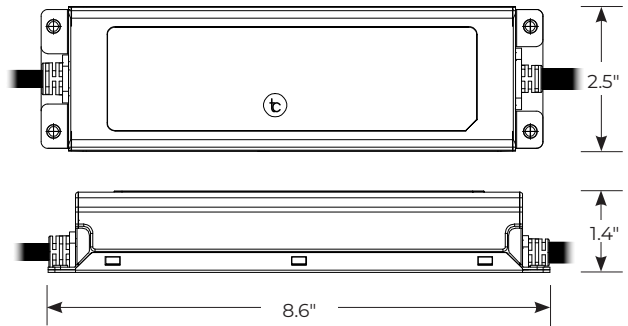
- Excellent power factor to reduce power consumption
- IP67 rated for wet locations

150 Watt LED Driver

Part Number | 690010.128

Product Details

Housing	Aluminum
Wattage	150W
AC Input	120V AC
DC Output	24V DC
Frequency	47-63Hz
Input Current	6.3 A @ 120V AC
Power Factor	>0.95
Operating Temp	50°C - 85°C



Features

- Excellent power factor to reduce power consumption
- IP67 rated for wet locations

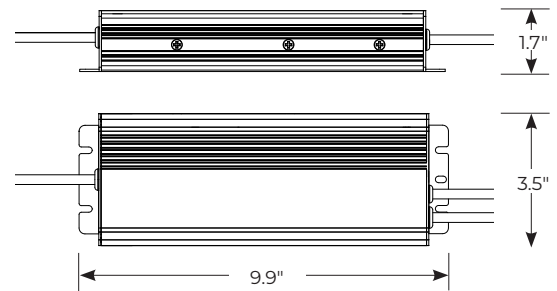
Note: All power supplies should only be run to an 80% load

320 Watt LED Driver

Part Number | 690010.080

Product Details

Housing	Aluminum
Wattage	320W
AC Input	115-277V AC
DC Output	24V DC, 13.3 A
Frequency	47-63Hz
Input Current	1.5 Amps @ 277V AC
Power Factor	>0.9
Operating Temp	-40°C - 70°C



Features

- Designed to work with LED products
- Excellent power factor to reduce power consumption
- IP65 and IP67 rated for wet locations



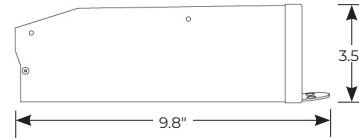
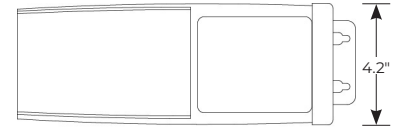
300 Watt LED Magnetic Driver

Part Number | 690010.096

Product Details

Housing	Aluminum
Wattage	300W
AC Input	120V AC
DC Output	24V DC, 20.8Amps
Frequency	50-60Hz
Input Current	2.86 Amps @ 120V AC
Power Factor	>.93

Note: All power supplies should only be run to an 80% load



Features

- 50% load is required if not being used with a dimmer
- Only use Magnitude approved dimmers
- FCC Compliant

