

# VersiControl™

## Addressable RGB/RGBW

### Smart System Plus



### Product Overview

- True RGB/RGBW controller for a virtually unlimited color palette along with standard fades and chasing modes
- Available with J1939 or NMEA 2K Network
- The addressable system can be used as a stand alone product or integrated into the digital dash via a CAN Bus system or NMEA 2K network
- The system allows the user to independently control two standard RGB(W) zones of lighting and two addressable zones.
- Addressable zones are powered externally and use a digital signal which draws very little current
- Software updates available through the ITC app
- The pad controller allows for adjustment of the color, brightness or standard color fades and chasing modes on each zone, while the app or MFD provides even more control and customization features



\*MFD not provided

### Product Details

	Controller	Pad Controller
Dimensions	7.5"L x 5"W x 1.5"H	2.5" Dia x 2.5"H
Housing Material	Steel Reinforced Plastic	Plastic
Voltage	12 - 24V DC	10 - 28V DC
Current*	20A Max <sup>1</sup> RGB: 10A per zone max <sup>2</sup> RGBW: 12A per zone max	0.5A Max
Remote Distance	100FT	N/A
Bluetooth Version	Bluetooth 4.0 BLE (Operating system: IOS 10.0 / Android 5.0 or greater)	N/A
IP Rating	IP66	
UV Stable	Yes	
Operating Temp.	-20°C - 50°C	

<sup>1</sup> Always fuse the zone output line if wiring and load cannot handle the maximum current of 20 amps if a short occurs.

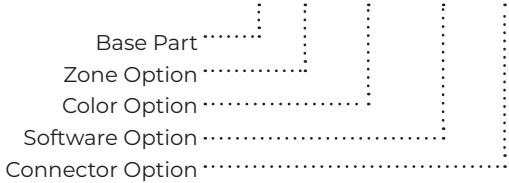
<sup>2</sup> An additional 18A can be gained through the use of the ITC RGB amplifier, part #21080-18

<sup>3</sup> EMC : FCC Part 15 Class B



Specification Guide

Sample Part #: 2300A-RGB-NM-01



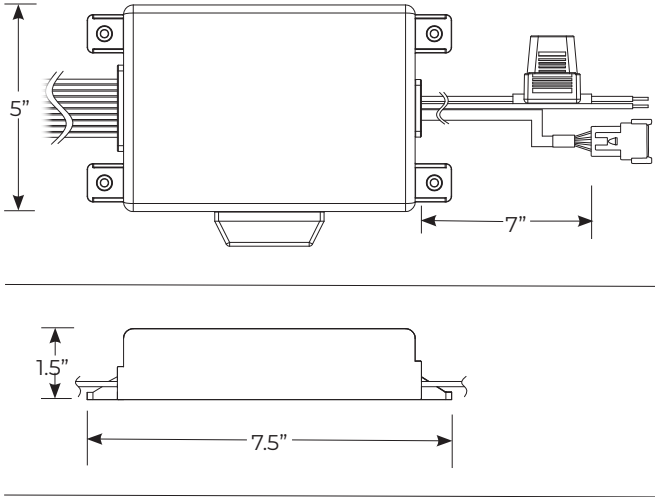
Base Part #	Zone Option	Color Option	Software Option	Connector Option
2300	A - 2 standard zones & 2 addressable zones	RGB - RGB RGBW - RGBW	00 - J1939 NM - NMEA2K	00 - W/O DT Connectors 01 - W/ DT Connectors

**Screw Mount Pad Controller:**  
21055 : RGB 4 Zone Pad Controller

**Spring Mount Pad Controller\*:**  
21057 : RGB 4 Zone Pad Controller  
\*Works with 1/8" mounting surface

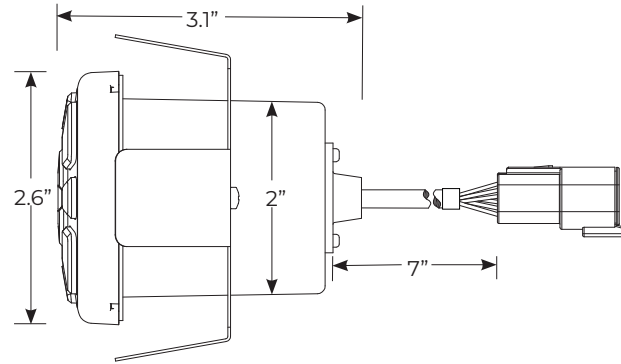
Control Module Key Features & Dimensions

- Disabling zones when the unit is in motion
- Bluetooth and CAN Bus controlled
- Smart FET protection and replaceable fusing on return lines
- Individual microcontroller per zone and master micro ensures consistent light output between all zones
- Simple dip switch controls allow for easy customization including:
  - Setting the system to power up in either the on or off state
  - Password reset back up

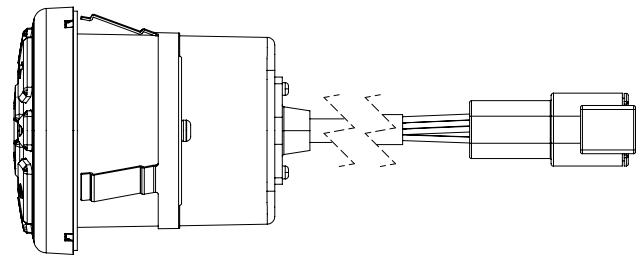


## Control Pad Key Features & Dimensions

- Control the color, color fade and chasing and brightness of each zone independently or together
- Illuminated pad keys provide better visual control in low light levels
- Instant white button for convenience, security and safety
- Manual Bluetooth pass code reset



Screw mount version



Spring mount version

## Phone App Key Features

- Provides all the same control features of the control pad including, color, color fade, brightness, chasing and instant white
- Additional control features available on the app include:
  - Camera color selection
  - Set personal custom color effects
  - On/Off timer
  - Individual zone lock-out
  - Personal pass code security
  - Music beats

